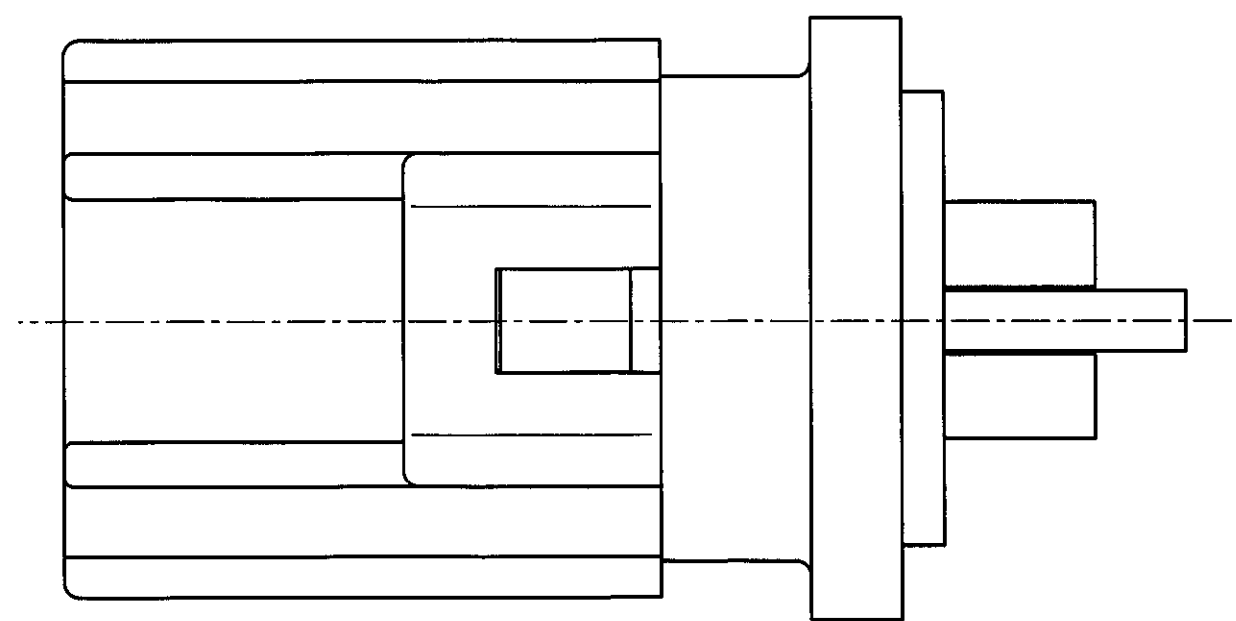
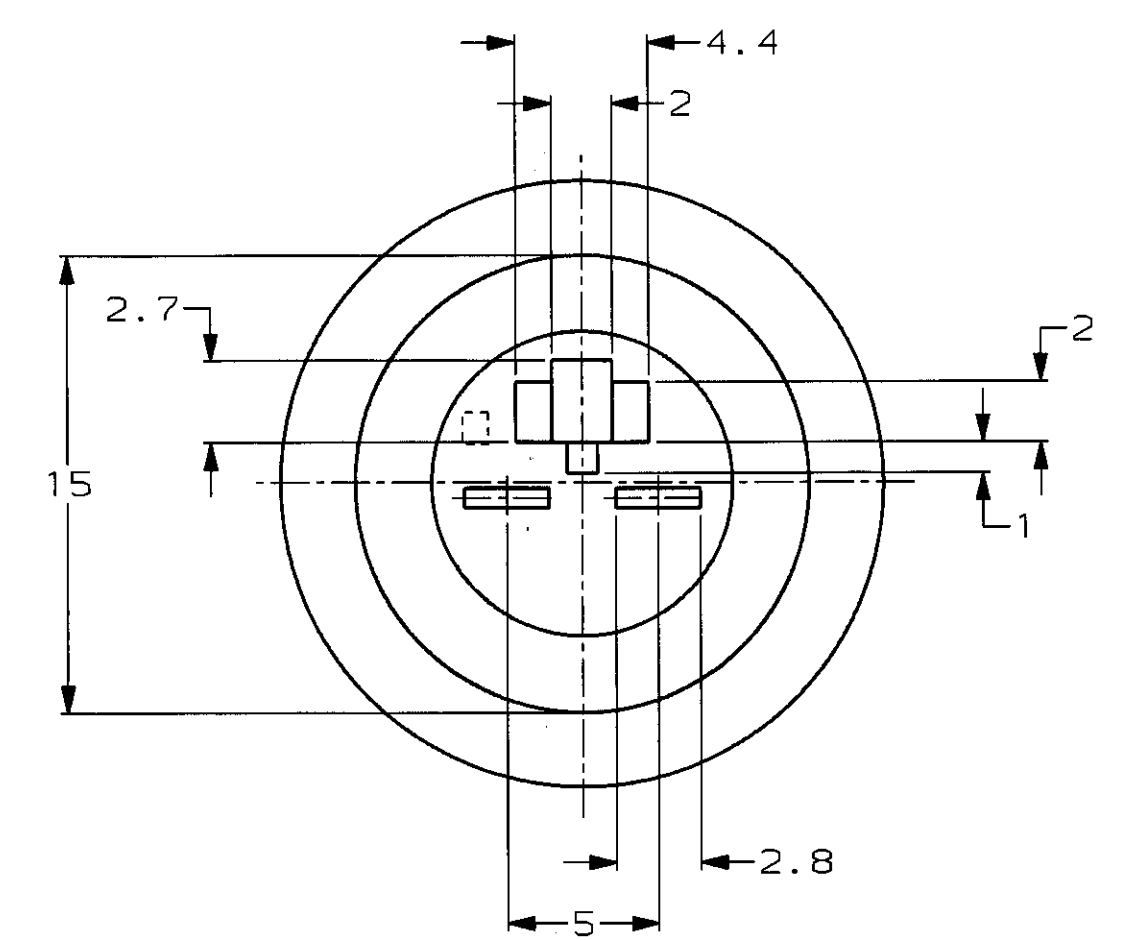
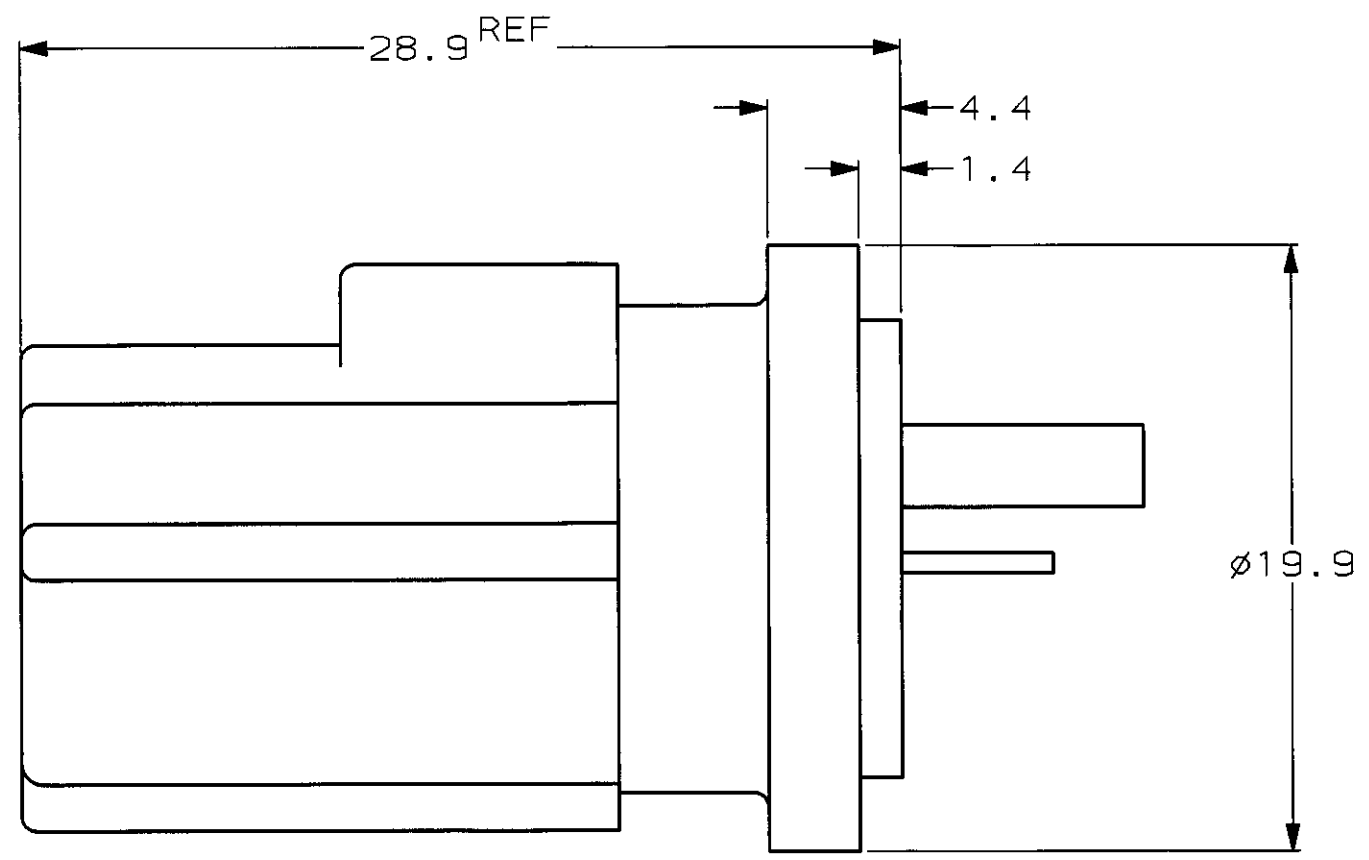
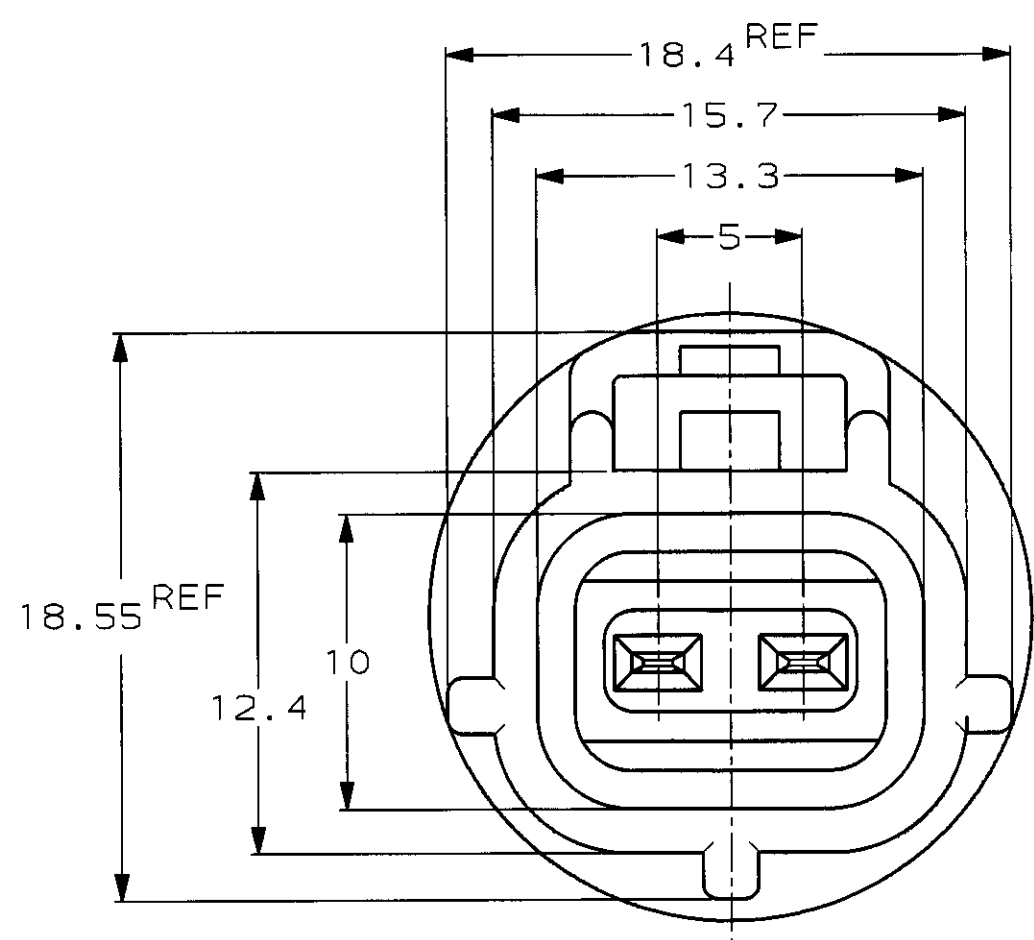


THIS DRAWING IS UNPUBLISHED. RELEASED FOR PUBLICATION, 19 .  
 © COPYRIGHT 19 BY AMP INCORPORATED. ALL RIGHTS RESERVED.

REVISIONS						
P	LTR	DESCRIPTION	ECN	DATE	DWN	APVD
0		RELEASED	FJ00-1214-99	13JUL99	TS	KB



-2; 本図  
 -2; AS SHOWN



- 1. 嵌合相手型番: 178390
- 1. MATING PLUG HOUSING PART NUMBER: 178390

THIS DRAWING IS A CONTROLLED DOCUMENT FOR AMP INCORPORATED. IT IS SUBJECT TO CHANGE AND THE CONTROLLING ENGINEERING ORGANIZATION SHOULD BE CONTACTED FOR THE LATEST REVISION.		DWN T. SHINOHARA 13JUL99 CHK 13JUL99 APVD K. BETSU	WIRE RANGE 適合電線断面積 INSULATION DIA 被覆外径
DIMENSIONS 単位 概 mm	TOLERANCES UNLESS OTHERWISE SPECIFIED 一般公差 10mm ±0.2 30 ±0.25 100 ±0.3 ANGLE: ±3°	<b>AMP</b> 株式会社 Kawasaki, Japan	NAME 070 SERIES EJ-II FOR SENSOR 製品規格 2POSITION CAP HOUSING ASSEMBLY B-TYPE
MATERIAL 材料 HSG: PBT TAB: BRASS	FINISH 仕上 TAB: PRE-TIN	PRODUCT SPEC 製品規格 108-5355 INSTRUCTION SHEET 取扱説明書 411-5590	SIZE CAGE CODE A2 00779 DRAWING NO 174365 RESTRICTED TO ---
WEIGHT 6.65g		CUSTOMER DRAWING	SCALE 尺度 4:1 SHEET 1 OF 1 REV 0